



INSTALLATION AND USER MANUAL

ECOHEAT

EH100

EH130







1.	INTRODUCTION	1
2.	GENERAL INDICATIONS.....	1
3.	TECHNICAL INFORMATION	2
4.	INSTALLATION STEPS	5
5.	PLACING ECOHEAT.....	5
6.	WALL INSTALLATION	6
7.	AIR CONNECTION.....	6
8.	HYDRAULIC CONNECTION	8
9.	ELECTRICAL CONNECTION.....	9
10.	COMMISSIONING. CONTROLLER.....	10
11.	WARRANTY CONDITIONS.....	20



1. INTRODUCTION

This product has been manufactured according to the European Quality Standards, incorporates prime grade materials and its correct working has been tested before it leaves our facilities.

Through this Installation and User Manual, you will be guide towards the correct and safety installation of the product. It is necessary to carefully read this manual before making any handling to avoid problems arising from the misuse of the product.

The company reserves the right to modify the information included in this document at any time without prior notice.

2. GENERAL INDICATIONS

2.1. Safety notes

The incorrect or inappropriate use of this product could lead to hazardous situations, causing damage or injuries to the user, third parties or even to the product itself or material goods.

- The installer has the responsibility to install the minimum safety devices (hydraulic and electrical) set out in this Manual. In case of failure, the lack of any device may cause burns or other injuries.
- The installer has the responsibility to inform the user about the function and placement of the safety devices installed into the device and the installation.
- The water outlet temperature could reach 70 degrees. Do not touch the pipes while the system is working to avoid any risk of burns.

2.2. Installer's qualification

It is needed the technical staff have the official certification that accredits them as authorized to handle coolants.

The installer must explain the user the application of the product and the use and management of the unit, and he should provide the user all the documentation supplied with the equipment.



2.3. Package contents

The ECOHEAT system comprises the following components:

- ECOHEAT (according to model)
- Silent-Blocks
- Anchor screws
- Safety valve
- User Manual

2.4. Indications about transport and unpacking the unit

The unit is supplied packed into a wooden pallet properly secured to prevent damage during transport.

The materials used for packing are recyclables, so dispose it in an appropriate container.

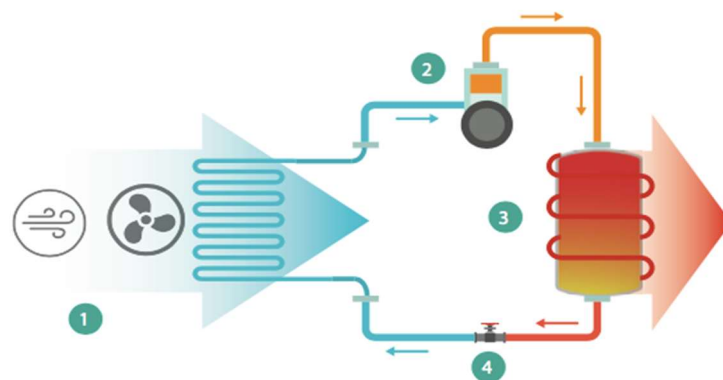
Use a forklift or hand pallet truck to transport the unit to the installation site, always introducing the forks into the bottom of the pallet being careful not to damage the unit.

In case you identify any damage at the time of the reception of the unit, it is mandatory to register it in the reception note of the transport company, and then, submit the complaint.

For this reason, it is recommended to make a thorough visual inspection of the goods before signing the reception note.

3. TECHNICAL INFORMATION

3.1. Operating Principle



1. The evaporator captures the thermal energy from the air through the refrigerant.

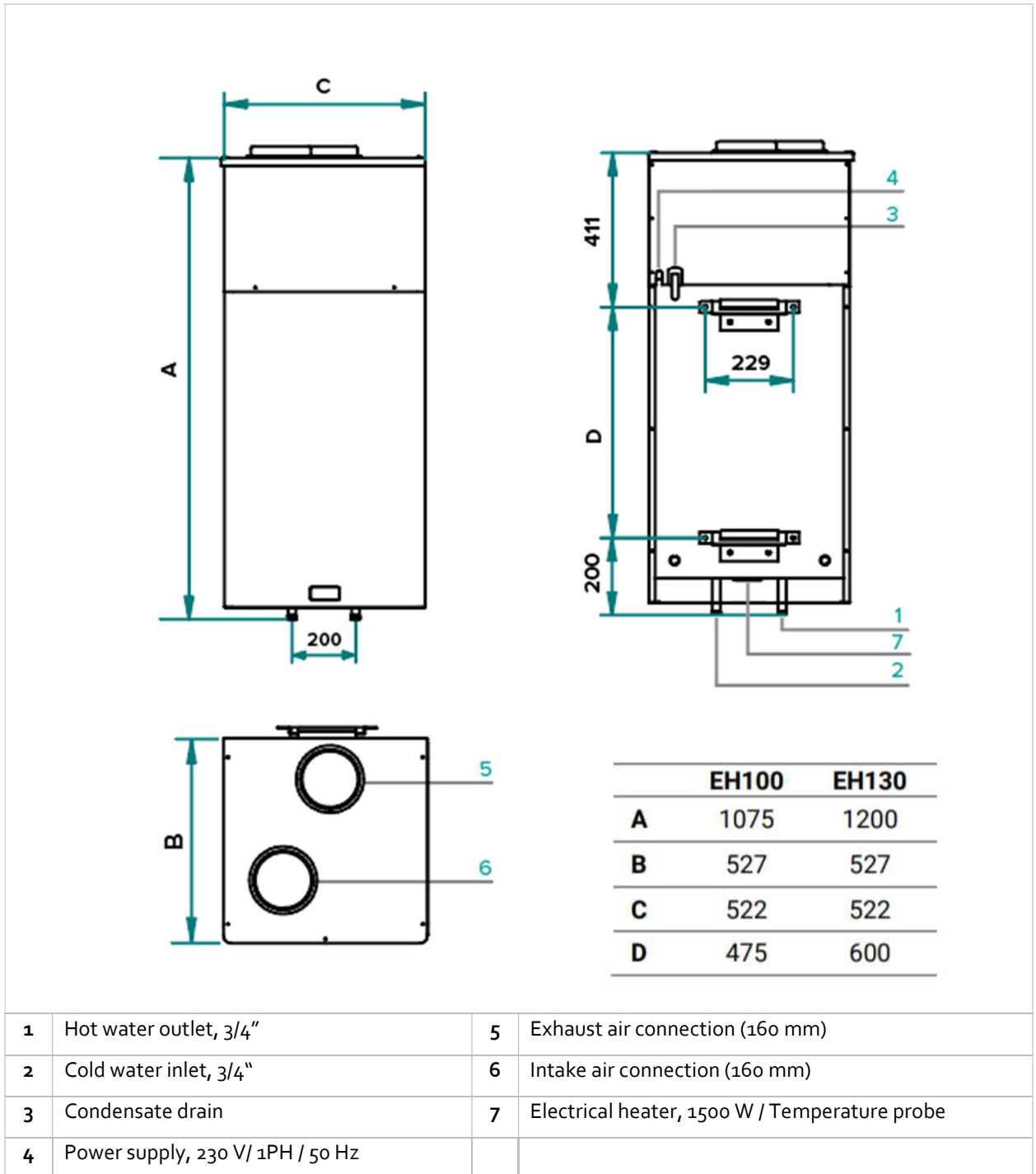
2. The compressor compresses the refrigerant, increasing its temperature and pressure.

3. The collected energy is transferred to water in the condenser. The accumulated water increases its temperature reaching up to 55 °C.

4. The refrigerant circulates to the expansion valve, where its pressure decreases to achieve the optimum conditions before entry into the evaporator.



3.2. Dimension drawings





3.3. Technical data

Model	EH100	EH130
Cylinder		
Capacity, L	100	130
Maximum operating pressure, bar	6	
Heat pump data		
Heating capacity range, W	700 – 1200	
Input power, W	180 – 300	
Energy Efficiency Class	A+	
Load profile	M	
SCOP (14 °C)	3,02	3,24
Refrigerant / Charge, g	R134a / 750	
Minimum ambient temperature, °C	-5	
Maximum water temp. HP, °C	55	
Maximum water temp. electrical heater, °C	70	
Electric data		
Power supply, V/ph/Hz	230 / 1 / 50	
Electric heater power, W	1500	
Maximum absorbed power, W	1800	
Air data		
Air flow, m ³ /h	200	
Maximum pressure drop, Pa	50	
Intake/Exhaust connection, mm	160	
Other data		
Water connections, inch	3 / 4	



4. INSTALLATION STEPS

Before starting the installation, check the availability of all the necessary components and tools:

- Drill
- Screwdriver
- Hydraulic installation components
- Electric installation components

Once it has been checked that it is available all the necessary components and tools, the installer should follow the next steps:

1. Placing the ECOHEAT
2. Hydraulic installation
3. Air connections
4. Electric installation
5. Commissioning

5. PLACING ECOHEAT

The place where the system will be installed should allow an easy access to make maintenance work or inspection.

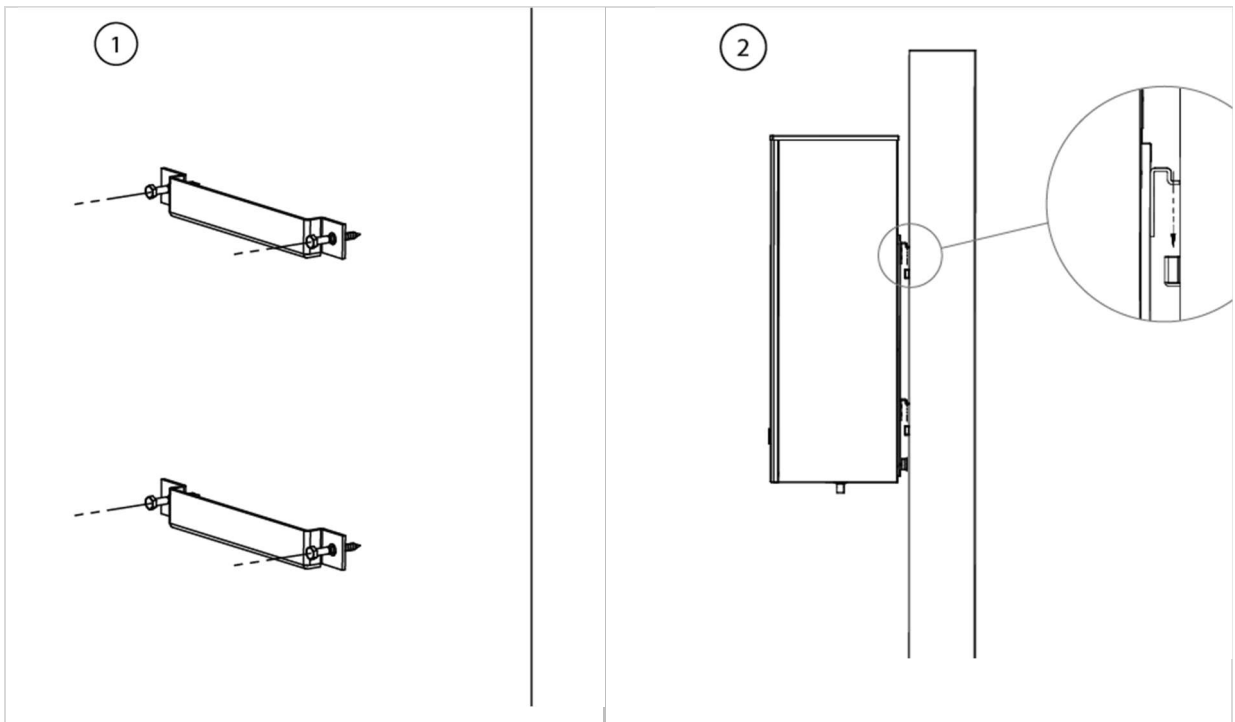
Air outlet of ECOHEAT is around 5-10 degrees below inlet temperature, so in case that the exhaust air would not be ducted, the room temperature will be considerably reduced.

Beside these factors, it is important to consider the following indications regards the installation site:

- The system has been designed and manufactured for it indoors utilization. Install the system in a dry, frost-free room at a minimum temperature of 5 °C.
- Installer must install the supplied silent blocks to avoid the transmission of vibration.
- The wall where the system will be installed has to bear the weight of the system full of water.

6. WALL INSTALLATION

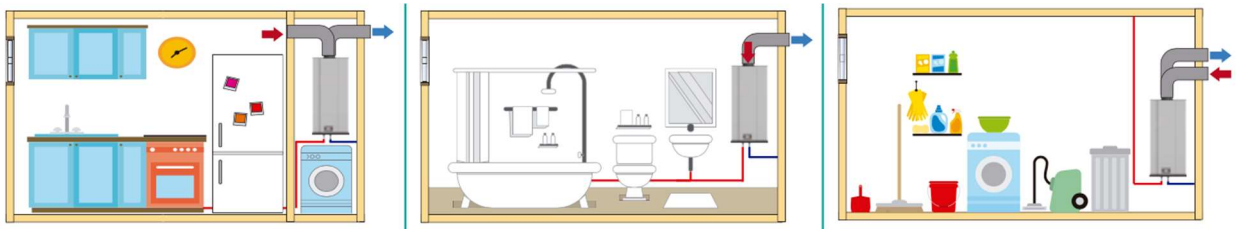
The device is designed for wall-mounting installation, therefore is supplied two brackets in the back. The installer has to fix coach screws M10x80, lock washer M10 and screw anchors 12x60. In addition, there are two holes on each side to adjust and regulate the silent blocks supplied to the wall.



7. AIR CONNECTION

Ecoheat unit has two air connections located at the top cover of the system.

There are different installations possibilities:



Since the temperature of the exhaust air is lower than the intake air flow, the user can recover this cold air to refresh a room. In this case, it is recommended to install a double duct, one to the room and other to outdoors. Using a gate, the user can stop the air flow conducting it to outdoors when cooling isn't needed.



IMPORTANT:

- Do not use flexible duct! Only smooth PVC pipe is allowed.
- Do not use anti-insect grid.

When the inlet and outlet ducting is needed, use only rigid smooth PVC tube.

The pressure drop in the whole air circuit (pipes and accessories) must be lower than the static pressure of the system, 50 Pa. In the following table is shown the allowed total pipe length (intake + exhaust). The equivalent length of any accessory installed in the circuit must be subtract to the maximum allowed pipe length:

Maximum length (PVC rigid pipe) 160 mm	14 m
Elbow 90° PVC 160 mm	3 equivalent meters
External grid	2 equivalent meters

SUCTION FILTER

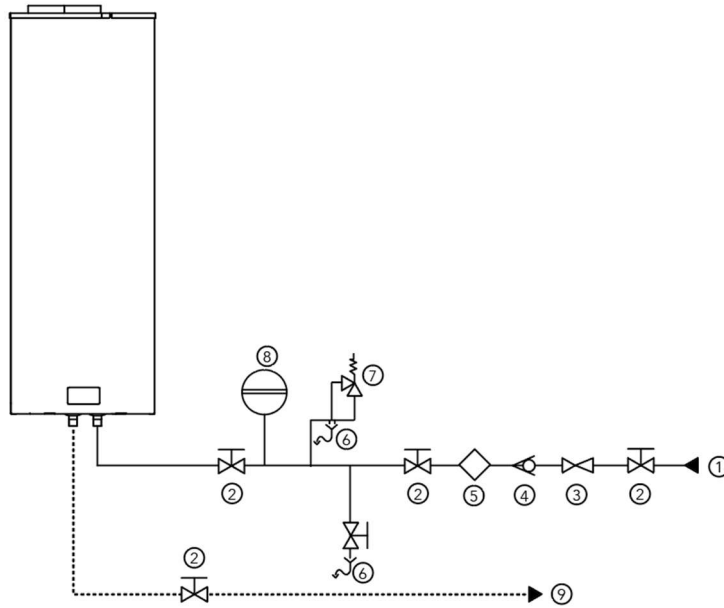
The system includes in the air intake a filter for the protection of all the elements of the refrigeration circuit. This filter should be checked every 6 months to verify that it has not been clogged. To do this, remove the filter from the suction duct and check if the channels allow air passage. Otherwise, wash it with water or replace with a new one.

If you notice that the system does not heat up, check the condition of the filter. A clogged filter affects the life-cycle performance and hot water production of the system.



8. HYDRAULIC CONNECTION

The hydraulic connections are shown in the following scheme:



The installer must install the following components of the hydraulic circuit:

- Cold water inlet (1)
- Ball valve (2)
- Pressure reducing valve (3)
- Check valve (4)
- Lined Filter Strainer (Y Type) (5)
- Drain (6)
- Safety valve (7)
- Expansion vessel (8)
- Hot water outlet (9)

Once the hydraulic connections are made, vent the circuit to avoid the air inside the installation.

CONDENSATE DRAIN

The condensation in the evaporator could produce a constant water flow that has to be drained properly. The condensate drain is in the back of the system. Connect the condensate drain to the wastewater network making a siphon.

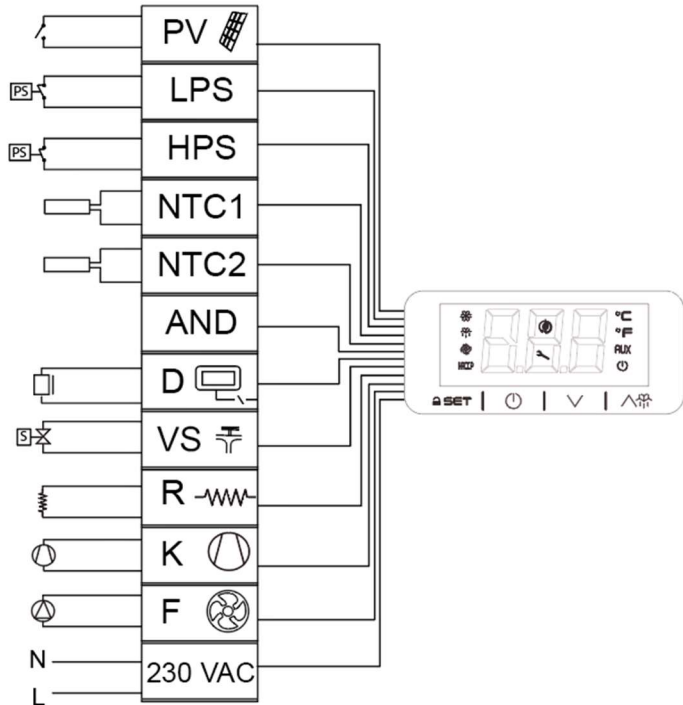
Ensure that water can flow freely.



9. ELECTRICAL CONNECTION

The electrical connection of the equipment is 230 V/1/50 Hz.

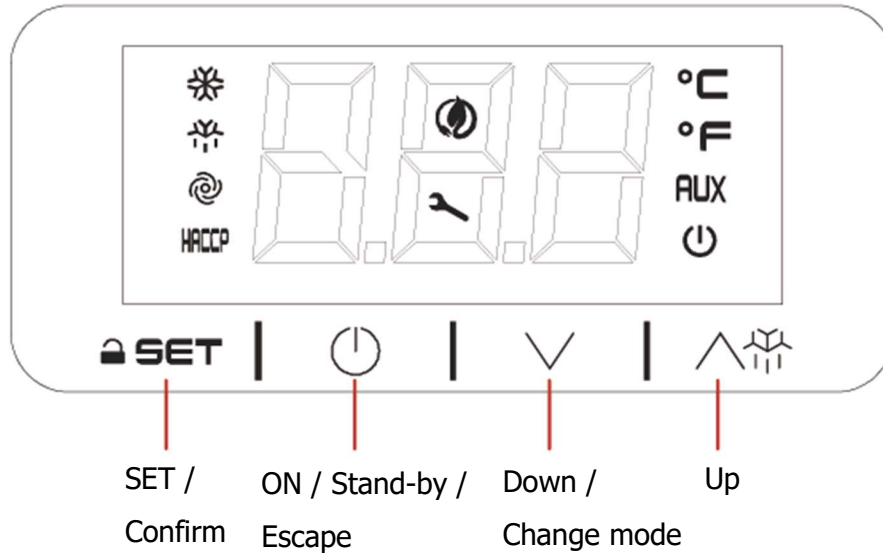
- PV:** Photovoltaic connection
- LPS:** Low pressure switch
- HPS:** High pressure switch
- NTC1:** Water temperature probe
- NTC2:** Ambient temperature probe
- AND:** Not used
- D:** Display
- VS:** Solenoid valve
- R:** Electrical heater
- K:** Compressor
- F:** Fan
- 230 VAC:** Power supply





10. COMMISSIONING. CONTROLLER.

10.1. User interface description

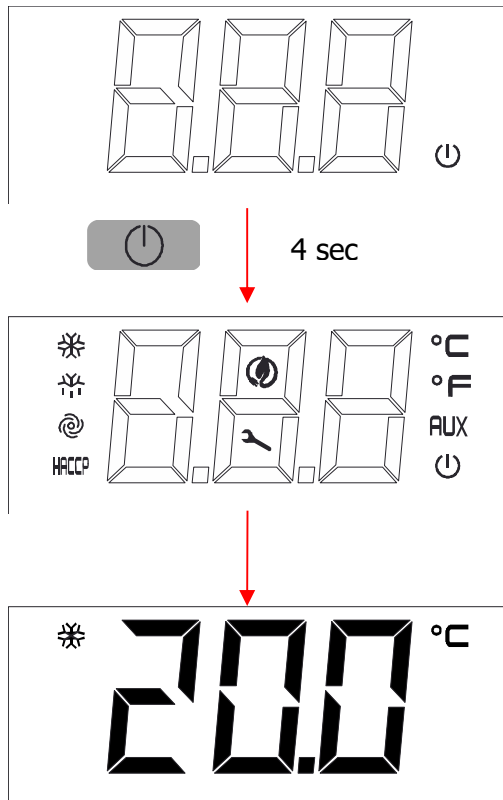



Symbol	Meaning when it lights
	Compressor switched on
	Defrost active
	Fan switched on
	Alarm active
	Compressor working hours exceeded
	Unit in °C
	Unit in °F
	Electric heater switched on
	Stand by




10.2. INSTALLATION. Switching on

After full installation of the water heater (power and water pipes connected) and after the water heater tank is full of water, power can be turn ON.

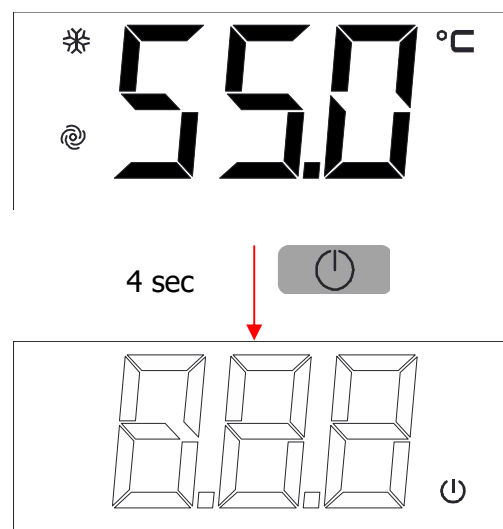



1. After filling the tank of water, connect the mains plug to the mains supply.
The screen will show the  symbol.

2. Hold the  key for 4 seconds. The display will show the icons.

3. The screen will show the water temperature.

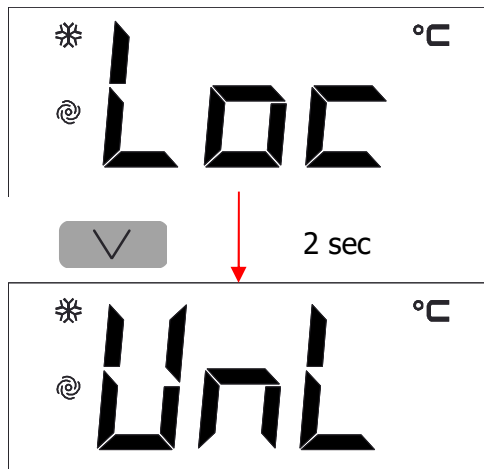
10.3. Switching OFF



- To switch off the system, hold the  key for 4 seconds.




10.4. Unlocking the keypad



When 30 have elapsed without the keys being pressed, the display will show the "Loc" label and the keypad will lock automatically.

Touch any key until the screen shows "UnL", to unlock the keypad.

10.5. Displaying the operating mode

At first initial power ON, the product goes, by default, in Eco mode. By touching one time the  key, the controller will show the mode in operation in this moment.



1 click



ECO Mode: Heating only by heat pump technology



Auto Mode: Heating by heat pump and electric heater only if the water temperature falls drastically



OverBoost Mode: Simultaneously heating by heat pump and electrical heater to achieve the temperature setpoint as quickly as possible



Defrost: Defrost cycle active



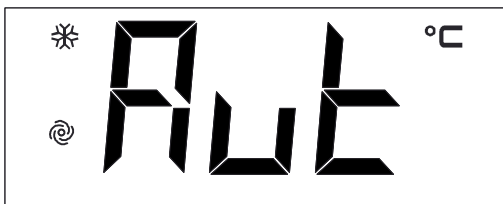
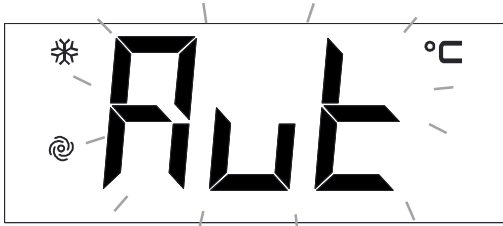
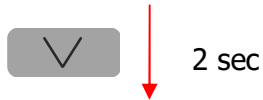
Photovoltaics/ Timer: Automatic working due to the existence of surplus energy from PV installation or Off-Peak Rate






Antilegionella: Automatic disinfection by thermal shock



10.6. Changing operating mode



To change the operating mode, touch the  key for 2 seconds.

The screen will show blinking the selectable operating modes. Use the  and  keys to select the operating mode.



Touch  to confirm or  to cancel.

The screen will show again the water temperature.

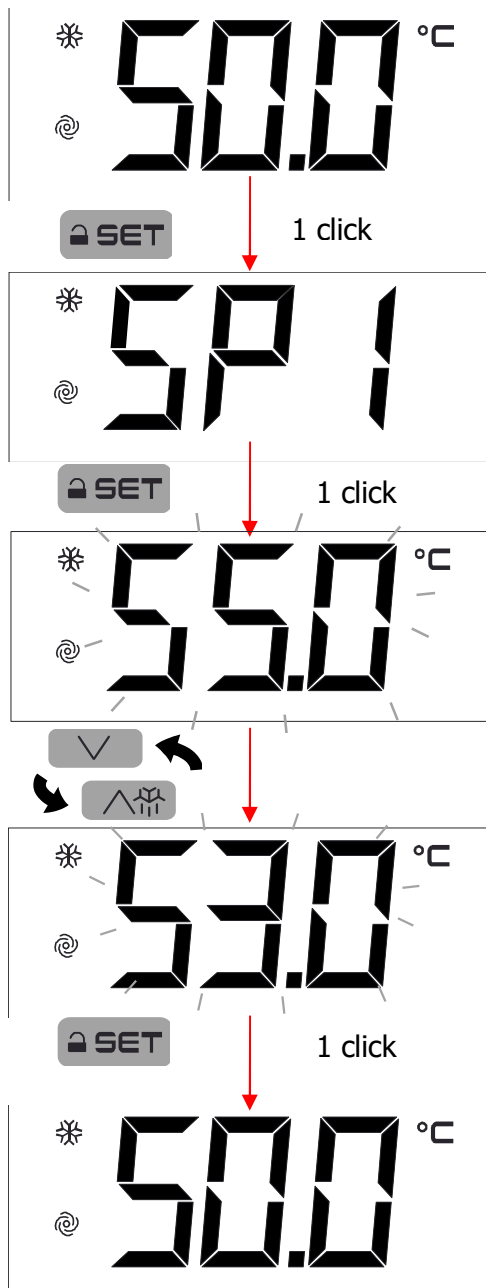




10.7. ECO Mode

ECO mode: Maximum savings. The system heats water only by heat pump technology.
This is the factory default mode.

Setting the ECO temperature setpoint

The water temperature set point in ECO mode can be changed with the **SP1** parameter.



Touch  key and select SP1. Touch  to confirm.

The display will show the programmed temperature.

Touch  or  to select the desired temperature.

Touch  to confirm or  to cancel.



10.8. AUTO Mode

It maintains a steady temperature by the heat pump and only use the electrical heater if the temperature falls drastically.

Setting the AUTO temperature setpoint

The water temperature set point in AUTO mode can be changed with the **SP2** parameter.



1 click





1 click



1 click



Touch  SET key and select SP2. Touch  SET to confirm.

The display will show the programmed temperature

Touch  or  to select the desired temperature

Touch  SET to confirm or  to cancel



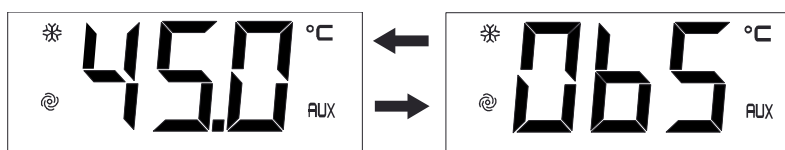
10.9. OVERBOOST Mode

Select this mode to achieve a fast heating by using simultaneously heat pump and electric heater.

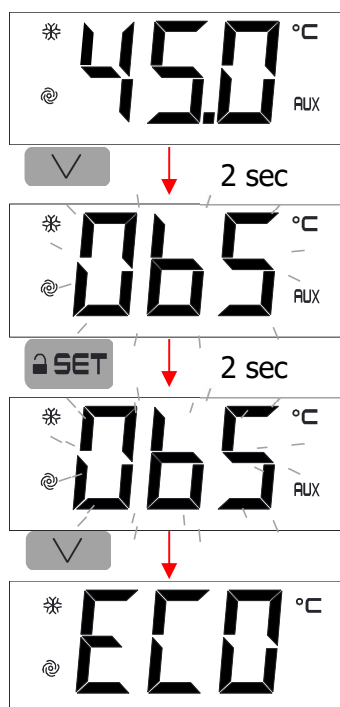
This mode Works as a rapid heating. Once the setpoint temperature is reached, the system returns to the initial mode.


- If Overboost mode is switched on when the system Works from **ECO mode**: The system heats the water up to **SP1**, and then returns to ECO again
- If Overboost mode is switched on when the system Works from **Auto mode**: The system heats the water up to **SP2**, and then returns to Auto again


When Overboost mode is active, the display automatically changes showing the water temperature and **Obs**.




Cancelling the Overboost Mode



Touch  for 2 seconds, **Obs** will blink on the screen

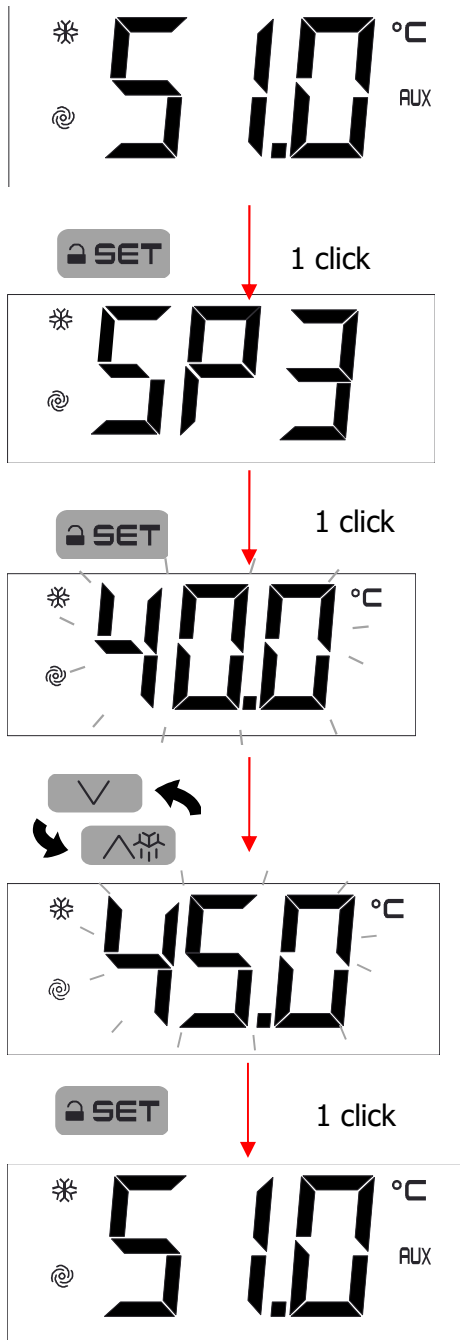
Touch  for 2 seconds again, **Obs** will blink faster

Touch  and the mode will be changed for the initial mode.



Parameter SP3 allows to set the minimum temperature that Overboost can be activated.

To change it value, follow the procedure:



Touch **SET** and select with **∨** and **∧** **SP3**. Touch **SET** to confirm.

The display will show the programmed temperature.

Touch **∨** or **∧** to select the desired temperature.

Touch **SET** to confirm or **⏻** to cancel.



10.10. Photovoltaic input

Working on this mode, the system automatically heats the water due to electric energy surplus or by Off Peak rate.

The parameters of this mode can only be changed by the Installer's Menu.

Contact with the technician for more information.

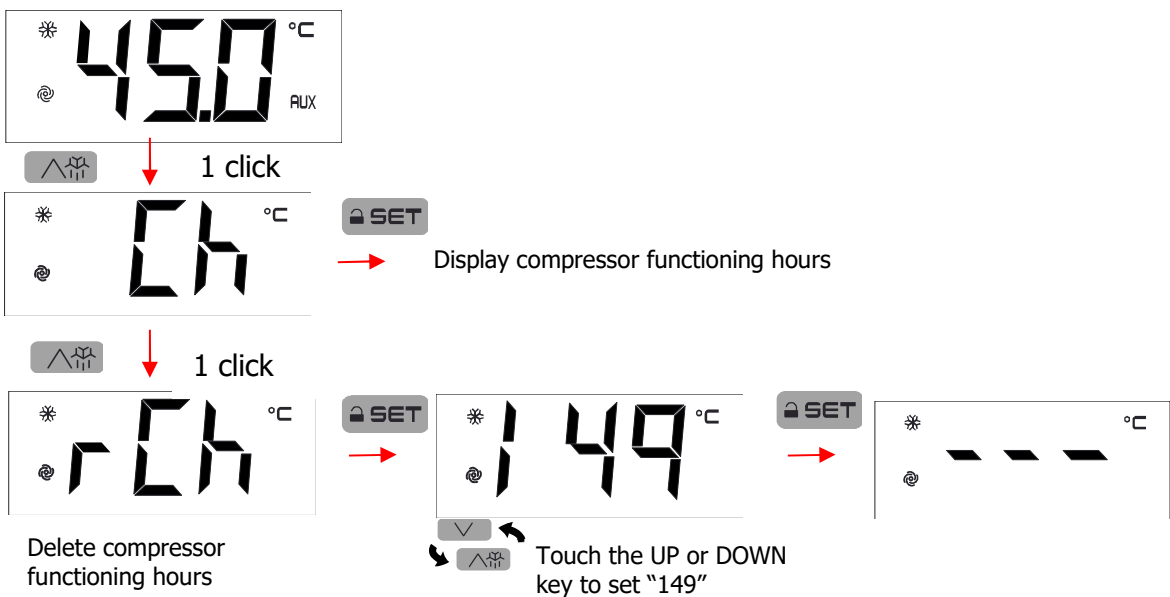
The system can be combined with and Photovoltaic Inverter to take advantage of the surplus energy generated by the panels, by forcing the system working and storing this energy in useful hot water. The system has in the electric board two terminals to connect a **zero-voltage** contact.



When the contact is closed, the system automatically changes to Photovoltaic mode and the heat pump and electric heater work to achieve the programmed temperature. When the contact is opened, the system returns to the previous mode.

This contact can be also used for Off Peak Rates. To do it, connect into the contact a timer with a **zero-voltage output**.

10.11. Displaying/deleting compressor functioning hours





10.12. Antilegionella

The anti-legionella feature reduces the risk of development of bacteria in the tank.

The system performs a thermal shock disinfection to avoid any risk conditions that might cause the development of bacteria. The disinfection is made automatically once a month, reaching a temperature of 65 °C.

Anti-legionella can be disabled or enabled in the installer menu.

IMPORTANT: When the system is **switched off** from electrical supply, the internal hour-counter for antilegionella disinfection **is reset**. For this reason, the system will perform a thermal shock disinfection before the time expected.

10.13. Alarms

Alarms	Meaning
Pr1	Water temperature probe alarm. Check the temperature probe integrity and the electrical connection
Pr2	Water temperature probe alarm. Check the temperature probe integrity and the electrical connection
Pr3	Evaporator temperature probe alarm. Check the temperature probe integrity and the electrical connection
AL	Low temperature alarm
AH	High temperature alarm
LHP	Low pressure switch alarm / Device blocked Switch the device off and on
HP	High pressure switch alarm Switch the device off and on
FiL	Compressor maintenance alarm By silencing the buzzer, you delete the compressor functioning hours
Utl	Evaporator failure alarm Switch the device off and on



11. WARRANTY CONDITIONS

Component	Warranty period
Stainless steel 2205 tank	5 years
Stainless steel 444 tank	3 years
Electrical, electronic and mechanical removable components	2 years

MANUFACTURER WARRANTY CONDITIONS

The warranty exclusively covers productions faults of the product, excluding any liability for any material damage or injury that results directly or indirectly from the use of this product.

The warranty takes effect from the moment that the system is installed, perfectly justified via the commissioning file correctly completed and sent to the factory within 2 months, or in absence of this justification, the date that shall be take into consideration is the invoice date.

The installer or distributor of the product is the solely responsible for compliance with the installation rules given by the manufacturer.

Failures or incidences due to the following reasons are excluded from the warranty:

- Handling or repair the product by unauthorised personnel.
- Damage caused by impact or fall during handling the product after it leaves the factory.
- To exceed the maximum accumulation temperature. The maximum accumulation temperature in all buffer tanks, unless otherwise indicated by Climer Technology, S.L.L., is 85°C. The most restrictive operating temperature range of those indicated in this document, data sheet, equipment manual and identification label will always prevail, contrary indication expressed by Climer Technology, S.L.L.
- Damage to the tank, result of malfunction from the overpressure limiting valve. Maximum 3 bars in the secondary, 9 bars in the primary and 9 bars in consumption and failing that indicated in the identification label of the equipment, applying as maximum pressure of each circuit the most restrictive.
- Location of the product at any place subject to high temperature, humidity, inclemency, frost, aggressive environment...
- Fault caused by an erroneous installation, which makes the product work out of its design conditions.
- Faults caused by not having installed the supplied security group or incorrect installation thereof.
- Overvoltage power supply (grid, beam...)
- Faulty electrical connection, insufficient wire section, non-compliance with electrical schemes...
- Use water within any of the following criteria:
 - o Calcium carbonate (CaCO₃) content > 200 mg/L
 - o > 50 mg/L free carbon dioxide
 - o Alkalinity > 150 mg/L
 - o Water pH less than 6 and greater than 9, measured at 20 °C
 - o > 250 mg/L total of chlorine derivatives chlorides
- In general, any condition that exceeds the maximum allowed values
- Fault due to galvanic corrosion result from direct connection of copper pipes without electrolytic sleeve
- Installation of the product in a manner not in accordance with the operating instructions
- Damages result from problems that could not be detectable due to the location of the system (hardly accessible place) and that could have been avoided by a prompt reparation of the product.
- Switch on the heating system without filling the tank (dry heating).
- Any modification of the product without prior agreement with the manufacturer or use spare parts non-authorized or non-supplied by the manufacturer.

Based on these considerations, the warranty comprises in replacing the faulty component to the Installer or Distributor. Transport cost, labour or any compensation are excluded from the warranty.

The fault in single components never comprises the replacing of the product. The installer or distributor is responsible of the changing or reparation of the defective part.

The warranty of the replaced spare part has the same vigour as the product, shall not entail hence the warranty period to be extended or a new warranty period to commence.



CLIMER TECHNOLOGY, S.L.L.

This company reserves the right to modify the information contained herein without prior notice.